

DINOLift
Up to the Job



DINO® TRAILERS

DINO XT/B II Series

- Working heights 16.0 – 26.0 m
- Articulated + telescopic boom
– up and over capability, large outreach
- Lightweight, robust, cost-effective

Trailer mounted XT/B II series

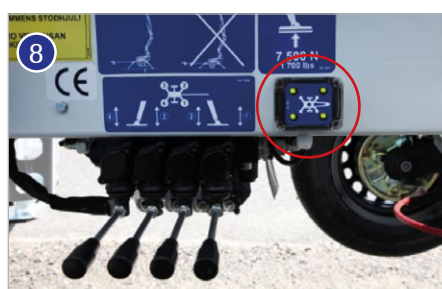
Standard features in all DINO XT/B II –models:

- Driving system; easy to move at work site (picture 1)
- Hydraulic basket rotation 180° * (picture 2)
*) except in 260XTD
- Spacious, easy-entry basket; capacity 215 kg (picture 3)
- Large outrigger plates 280 x 360 mm
- Continuous rotation of the boom; easy and functional
- Stable to tow
- Easy and fast setup; perfect solution for short time jobs
- Simple to use, clear and informative controls (pictures 4 and 5)
- Powerful charger; machine can be operated directly when charging the batteries. (XTB II series)
- High-capacity batteries, 4 x 6VDC, 235Ah. Work one day with overnight charge. (XTB II series)



Options for all DINO XT/B II –models:

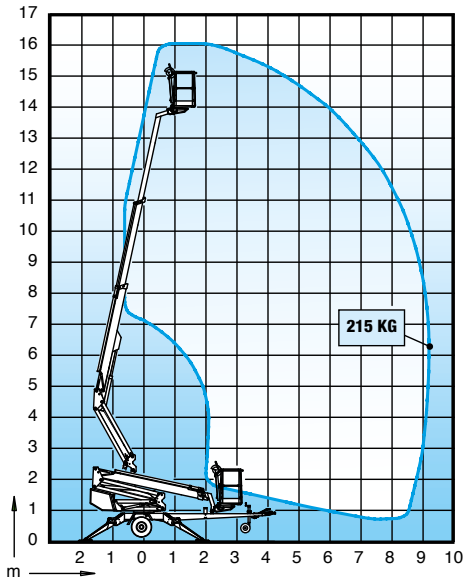
- Cable steering for driving* (picture 6)
*) standard in XTB II series and in 260XTD
- Two joystick controls (picture 7)
- Outrigger support indicator (picture 8)
- Petrol or diesel power pack* (XT II series)
*) petrol power pack standard in 210XT II and 260XTD
- Automatic levelling
- LED working lights
- Extra outrigger plates 500 x 500 x 35 mm + bracket
- Lockable tool / harness box (picture 9)
- Rack for tools and accessories
- Spare wheel
- 2kW Honda generator + bracket for charging batteries where 230VAC is not available (XTB II series) (picture 10)



DINO 160XT/B II

- Maximum outreach with full basket load
- Compact size, transport length only 6.15 m
- Total weight less than 2000 kg including engine (160XT II)

Technical data



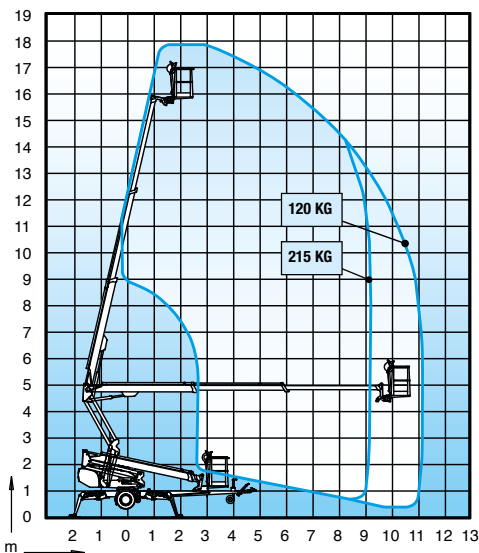
	160XT II	160XTB II
Max. working height	16.00 m	16.00 m
Max. platform height	14.00 m	14.00 m
Max. outreach	9.10 m	9.10 m
Support width	3.8 / 4.2 m	3.8 / 4.2 m
Lifting capacity	215 kg	215 kg
Basket size	0.7 x 1.3 m	0.7 x 1.3 m
Boom rotation	cont.	cont.
Basket rotation	180°	180°
Boom control	proport.	proport.
Transport length	6.15 m	6.15 m
Transport width	1.80 m	1.80 m
Transport height	2.30 m	2.31 m
Weight	1990 kg	2195 kg
Driving system	std	std
AC socket in the basket x 2	std	std
Electro motor	std	-
Petrol power pack	opt.	-
Diesel power pack	opt.	-
Batteries 235 Ah	-	std
DC Motor	-	std
Gradeability	25 %	25 %



DINO 180XT/B II

- Spider outriggers; great levelling capability in slopy terrain
- Large outreach 11.2 m / 120 kg, 9.1 m / 215 kg

Technical data



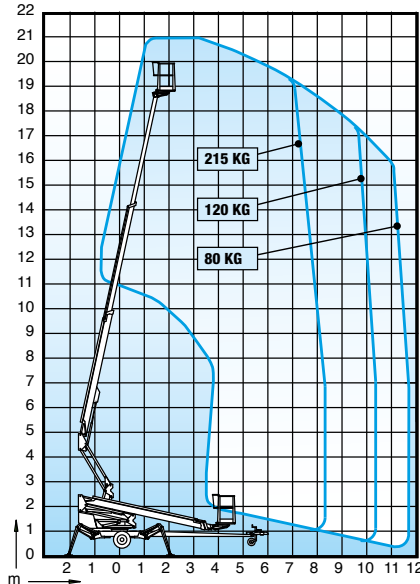
	180XT II	180XTB II
Max. working height	18.00 m	18.00 m
Max. platform height	16.00 m	16.00 m
Max. outreach	11.20 m	11.20 m
Support width	3.9 / 4.3 m	3.9 / 4.3 m
Lifting capacity	215 kg	215 kg
Basket size	0.7 x 1.3 m	0.7 x 1.3 m
Boom rotation	cont.	cont.
Basket rotation	180°	180°
Boom control	proport.	proport.
Transport length	6.66 m	6.66 m
Transport width	1.95 m	1.95 m
Transport height	2.30 m	2.30 m
Weight	2315 kg	2380 kg
Driving system	std	std
AC socket in the basket x 2	std	std
Electro motor	std	-
Petrol power pack	opt.	-
Diesel power pack	opt.	-
Batteries 235 Ah	-	std
DC Motor	-	std
Gradeability	25 %	25 %



DINO 210XT/B II

- Spider outriggers; great levelling capability in slopy terrain
- Two power sources as standard, 230 VAC and petrol engine (diesel as option)

Technical data



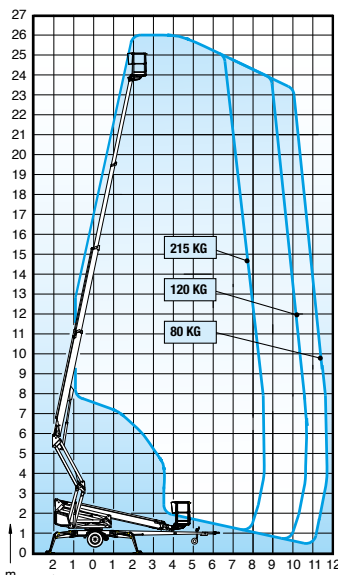
	210XT II	210XTB II
Max. working height	21.00 m	21.00 m
Max. platform height	19.00 m	19.00 m
Max. outreach	11.70 m	11.70 m
Support width	3.9 / 4.3 m	3.9 / 4.3 m
Lifting capacity	215 kg	215 kg
Basket size	0.7 x 1.3 m	0.7 x 1.3 m
Boom rotation	cont.	cont.
Basket rotation	180 °	180°
Boom control	proport.	proport.
Transport length	7.92 m	7.92 m
Transport width	1.95 m	1.95 m
Transport height	2.33 m	2.33 m
Weight	2475 kg	2610 kg
Driving system	std	std
AC socket in the basket x 2	std	std
Electro motor	std	-
Petrol power pack	std	-
Diesel power pack	opt.	-
Batteries 235 Ah	-	std
DC Motor	-	std
Gradeability	25 %	25 %



DINO 260XTD

- Driving, operation of outriggers and boom movements from the basket
- Two power sources as standard, 230 VAC and petrol engine (diesel as option)

Technical data



Max. working height	26.00 m
Max. platform height	24.00 m
Max. outreach	11.70 m
Support width	4.40 / 4.85 m
Lifting capacity	215 kg
Basket size	0.70 x 1.30 m
Boom rotation	cont.
Basket rotation	90 °
Boom control	proport.
Transport length	8.11 m
Transport width	2.05 m
Transport height	2.43 m
Weight	3495kg
Driving system	std
AC socket in the basket x 2	std
Electro motor	std
Petrol power pack	std
Diesel power pack	opt.
Gradeability	25 %
Drive from the basket	std



Technical specifications are subject to change without prior notice.

DINOLIFT
Up to the Job

Dinolift Oy
Raikkolantie 145 • FI-32210 LOIMAA • FINLAND
Tel. +358 (0)20 1772 400 • Fax +358 (0)2 76 27 160
www.dinolift.com